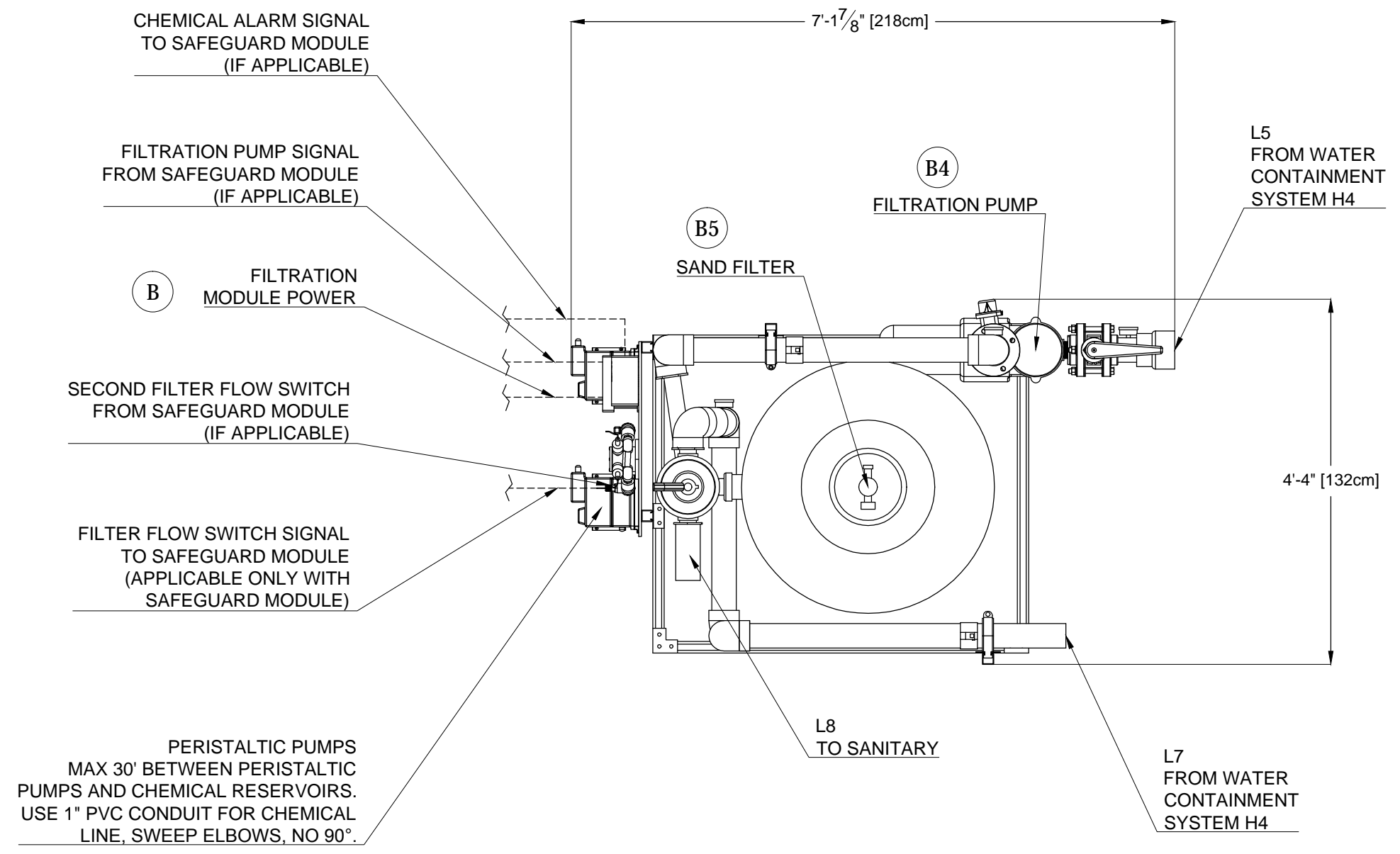


THESE DRAWINGS PROVIDE A GENERIC OVERVIEW OF THE INSTALLATION. THEY ARE NOT PROJECT SPECIFIC OR REFLECT ANY CUSTOMIZATION UNLESS NOTED. PLEASE CONTACT VORTEX AQUATIC STRUCTURES INTERNATIONAL FOR MORE DETAILS.

NOTE:  
 A) VERIFY LOCAL CODES FOR MINIMUM ACCESS DIMENSIONS AROUND ELECTRICAL ENCLOSURES.  
 B) PIPE LOCATIONS ARE APPROXIMATE AND SUBJECT TO CHANGE.



PRODUCT NAME: FILTRATION MODULE 3HP 208-230V 3PH 60Hz, 7 SQ FT FILTER, ACID & CHLORINE

PRODUCT NUMBER: VOR-33927.0030R01

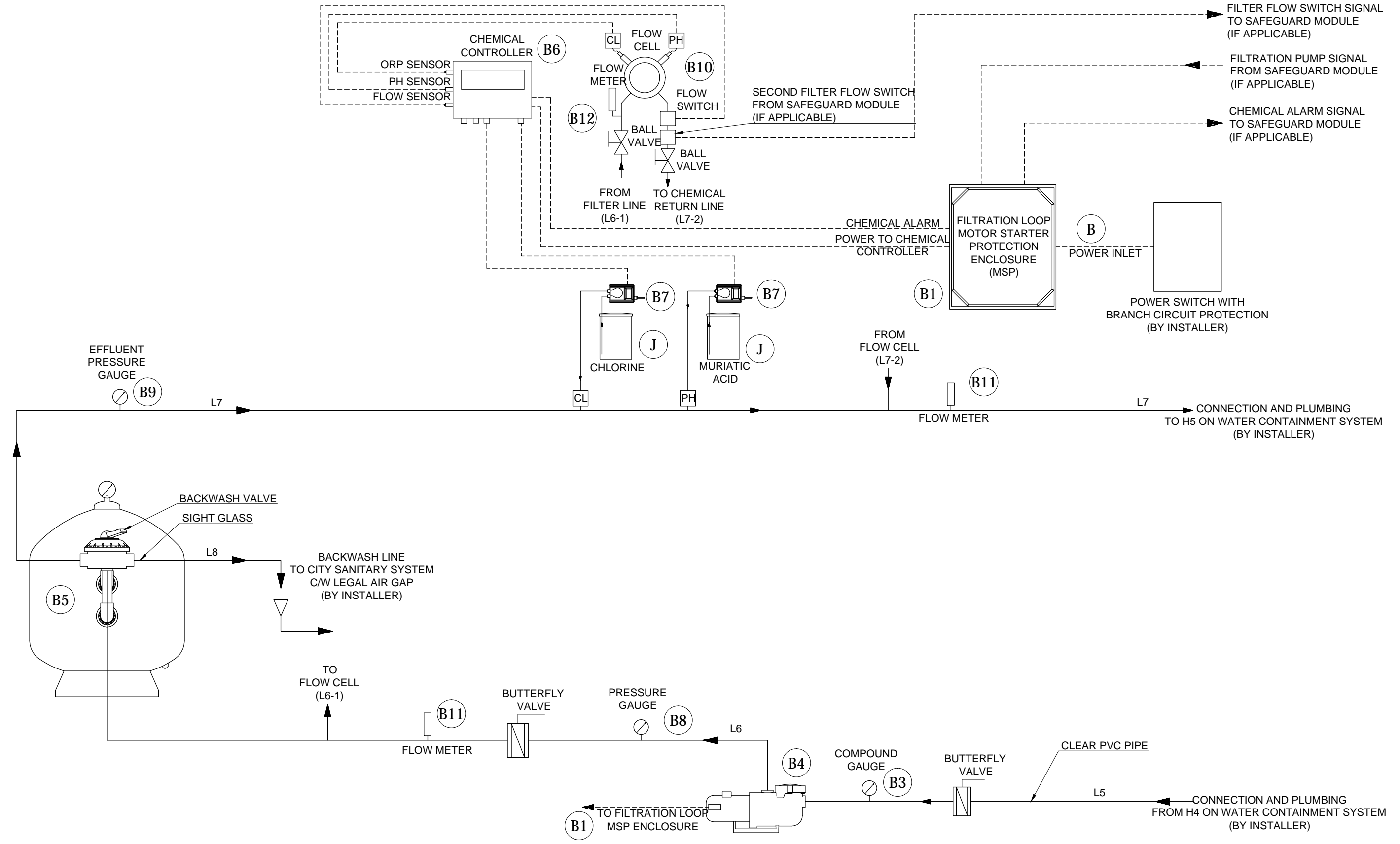
DATE: 07/DEC/2017

SHEET NO: 1/3

11"x17" SHEET SIZE



THESE DRAWINGS PROVIDE A GENERIC OVERVIEW OF THE INSTALLATION. THEY ARE NOT PROJECT SPECIFIC OR REFLECT ANY CUSTOMIZATION UNLESS NOTED. PLEASE CONTACT VORTEX AQUATIC STRUCTURES INTERNATIONAL FOR MORE DETAILS.



PRODUCT NAME: FILTRATION MODULE 3HP 208-230V 3PH 60Hz, 7 SQ FT FILTER, ACID & CHLORINE

PRODUCT NUMBER: VOR-33927.0030R01

DATE: 07/DEC/2017

SHEET NO: 1/3

11"x17" SHEET SIZE



THESE DRAWINGS PROVIDE A GENERIC OVERVIEW OF THE INSTALLATION. THEY ARE NOT PROJECT SPECIFIC OR REFLECT ANY CUSTOMIZATION UNLESS NOTED. PLEASE CONTACT VORTEX AQUATIC STRUCTURES INTERNATIONAL FOR MORE DETAILS.

FILTRATION MODULE SPECIFICATIONS				
ITEM	ITEM	PROVIDED BY	DESCRIPTION	QTY
B	FILTRATION LOOP POWER	BY OWNER	208 VAC, 3 PHASE, NEUTRAL, 60 Hz, 20 AMPS BREAKER RECOMMENDED OR 230 VAC, 3 PHASE, NEUTRAL, 60 Hz, 20 AMPS BREAKER RECOMMENDED	1
B1	FILTRATION LOOP MOTOR STARTER PROTECTION ENCLOSURE	VORTEX	MOTOR STARTERS AND OVERLOAD RELAYS.	1
B2	GALVANIZED STEEL UNISTRUT SKID	VORTEX	GALVANIZED STEEL UNISTRUT SKID	1
B3	COMPOUND GAUGE	WINTER INSTRUMENTS	COMPOUND GAUGE, 0-30" Hg / 0-60 PSI	1
B4	FILTRATION PUMP	PENTAIR, WHISPERFLO, WFK-12	3 HP, SELF PRIMING PUMP, THREE PHASE 208-230V, 127 GPM @ 70 FT HD, 141 GPM @ 60 FT HD, 11.0 AMPS FLA @ 208V OR 10.4 AMPS FLA @ 230V. NSF CERTIFIED.	1
B5	SAND FILTER	PENTAIR, TRITON, TR-140C	7.06 SQ. FT, 141 GPM @ 20 GPM/SQ FT, 106 GPM @ 15 GPM/SQ. FT, 36" DIAMETER, BACKWASH VALVE INCLUDED. NSF CERTIFIED.	1
B6	CHEMICAL CONTROLLER	BECS TECHNOLOGY, BECSYS3	ORP AND PH CONTROL WITH HIGH / LOW READING ALARM. NSF 50 CERTIFIED.	1
B7	PERISTALTIC PUMP	BLUE-WHITE IND, A1N20A-6T	UP TO 24GPD FEED CAPACITY, NSF CERTIFIED.	2
B8	PRESSURE GAUGE	WINTER INSTRUMENTS	PRESSURE GAUGE, 0-60 PSI	1
B9	EFFLUENT PRESSURE GAUGE	WINTER INSTRUMENTS	PRESSURE GAUGE, 0-60 PSI	1
B10	FLOW SWITCH	HARWILL	FLOW SWITCH, 24V	1
B11	FLOW METER	BLUE-WHITE IND, F-300 SERIES	3" PIPE FLOW METER, 40-140 GPM READING	2
B12	FLOW METER	BLUE-WHITE IND, F-400 SERIES	3/8" PIPE FLOW METER, 0.2-2 GPM READING	1
J	CHEMICAL RESERVOIR (OPTIONAL)	VORTEX	SEE CHEMICAL RESERVOIR INSTALLATION DRAWINGS FOR DETAILS.	2

LINE SIZE CONNECTION CHART				
BY	FROM	TO	ITEM	SIZE
INSTALLER	WATER CONTAINMENT SYSTEM H4	FILTRATION PUMP B4	L5	4"
VORTEX	FILTRATION PUMP B4	SAND FILTER B5	L6	3"
INSTALLER	SAND FILTER H	WATER CONTAINMENT SYSTEM H5	L7	3"
INSTALLER	SAND FILTER H	SANITARY SEWER SYSTEM	L8	3"

**NOTE:**

REFER TO VORTEX' WATER QUALITY MANAGEMENT SYSTEM AND VORTEX' WATER CONTAINMENT SYSTEM FOR PIPE SIZES.  
 FOR FILTER/CIRCULATION PUMP SUCTION, PUT THE LESSER OF THE TWO PIPE SIZE.  
 FOR OTHER PIPE SIZE, PUT THE WATER QUALITY MANAGEMENT SYSTEM'S PIPE SIZE.  
 IF THE WATER CONTAINMENT SYSTEM IS NOT BY VORTEX, REFER TO VORTEX WATER QUALITY MANAGEMENT SYSTEM FOR PIPE SIZE.

PRODUCT NAME: FILTRATION MODULE 3HP 208-230V 3PH 60Hz, 7 SQ FT FILTER, ACID & CHLORINE

PRODUCT NUMBER: VOR-33927.0030R01

DATE: 07/DEC/2017

SHEET NO: 1/3

11"x17" SHEET SIZE

