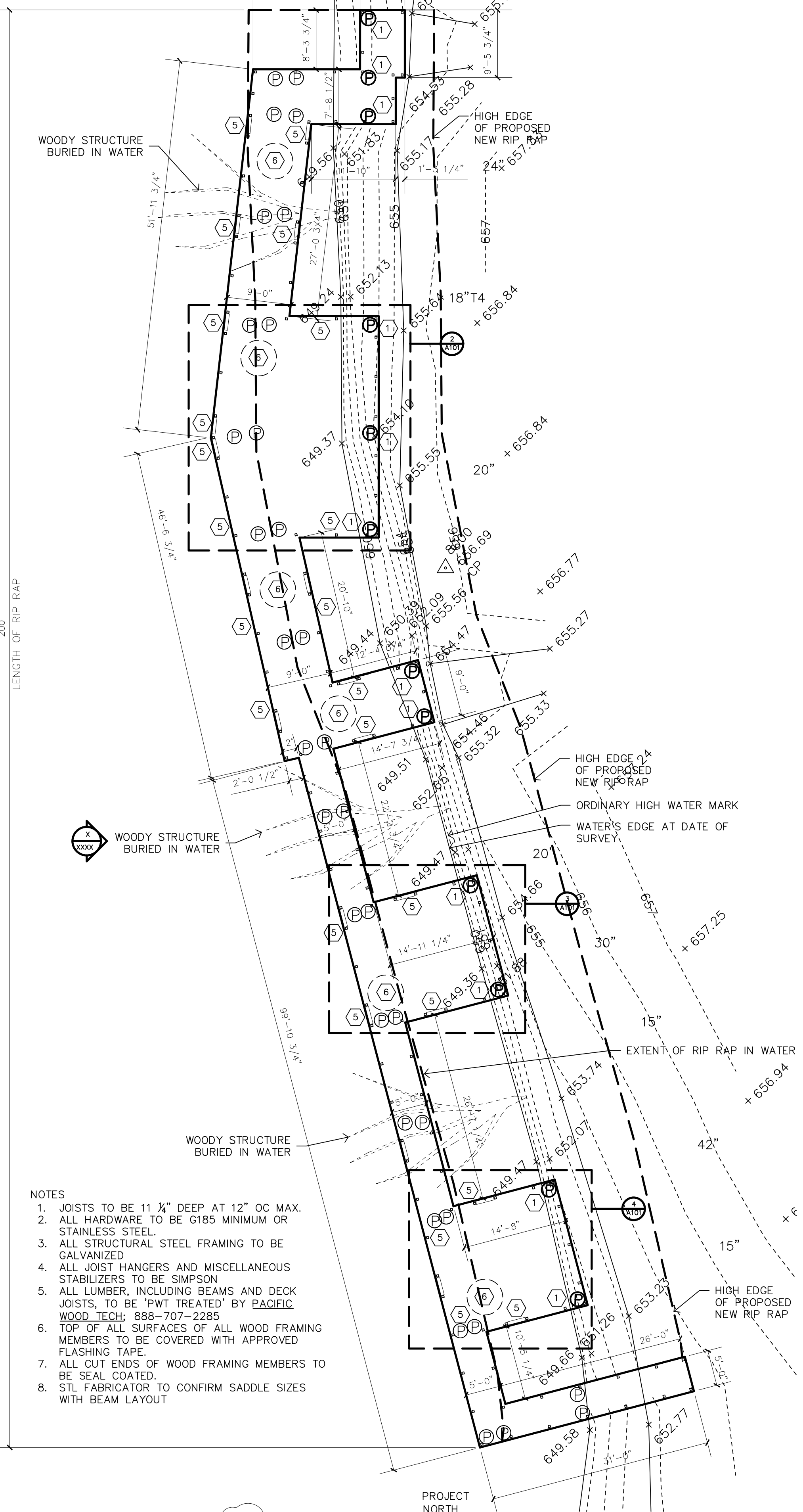


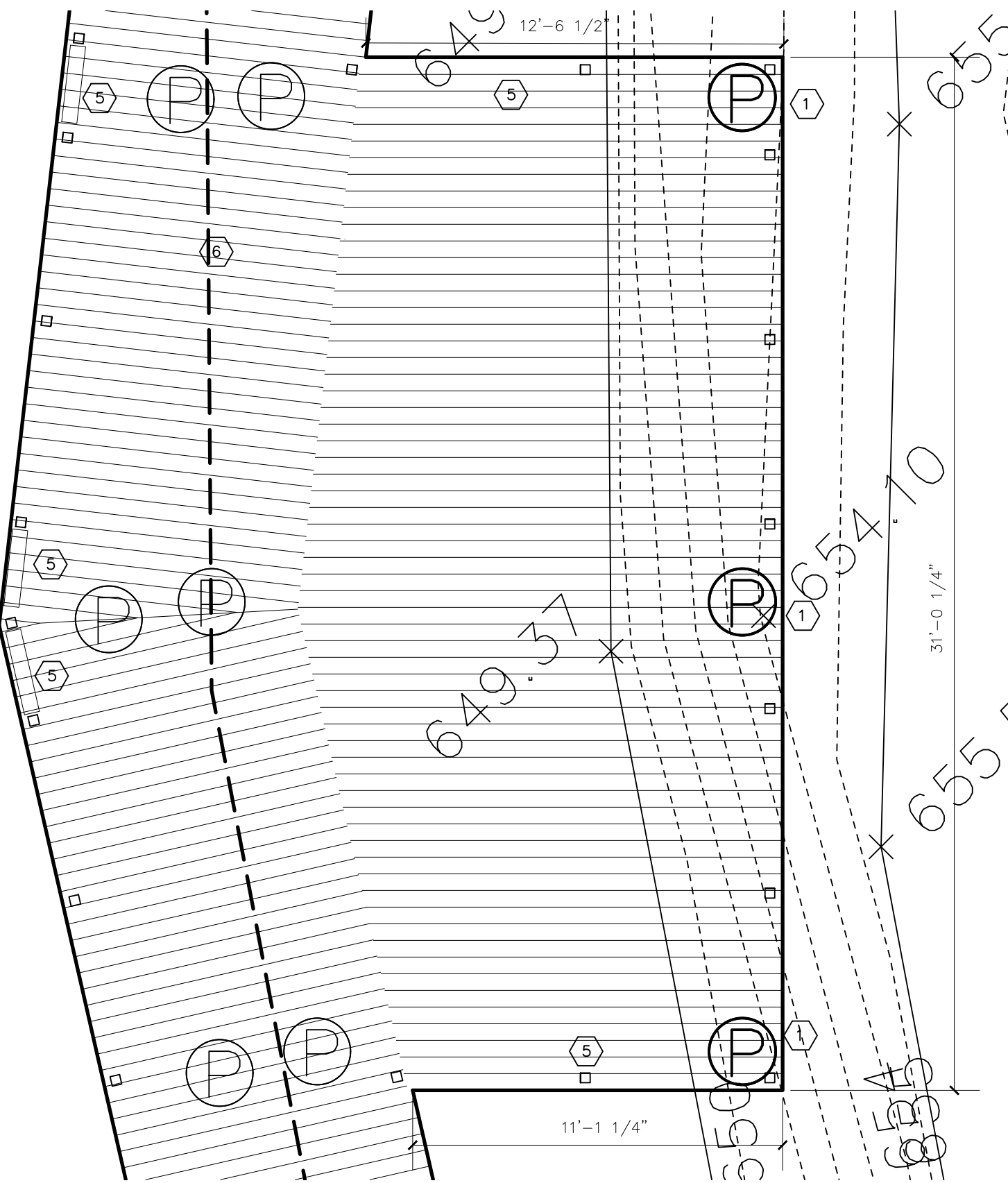
KEYNOTES (X)

1. NEW 6" DIA STL POST DRIVEN BY BARGE PILE DRIVER.
2. NEW 1X6 TREX DECKING
3. NEW PT LVL
4. EXISTING WOOD PILES WITH NEW STEEL CAP
5. BF FISHING RAIL, 3/4" HIGH AND 32" WIDE MIN. BF TURNING RADIUS

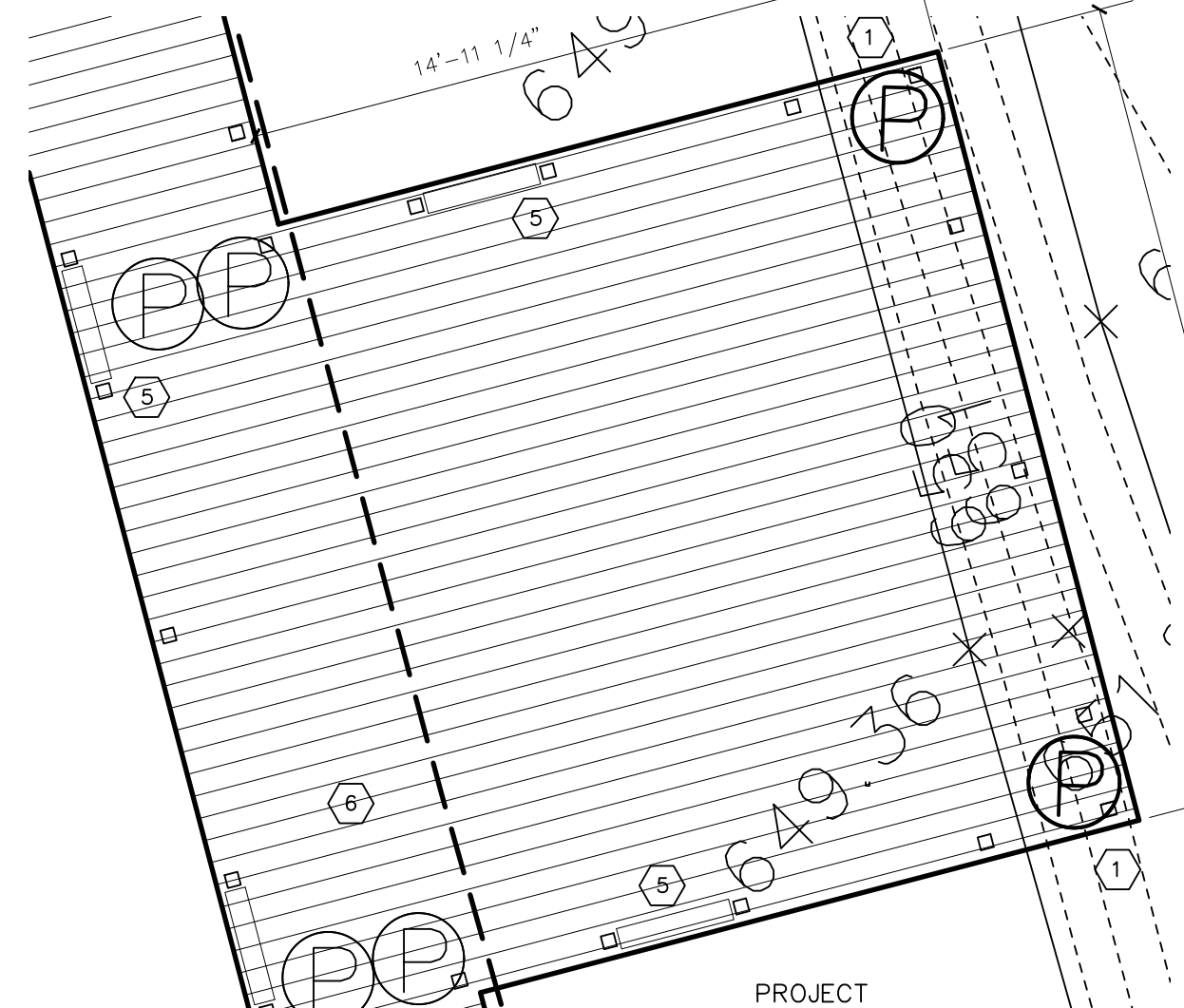


1 SITE PLAN
SCALE: 3/32" = 1'-0"
PROJECT NORTH

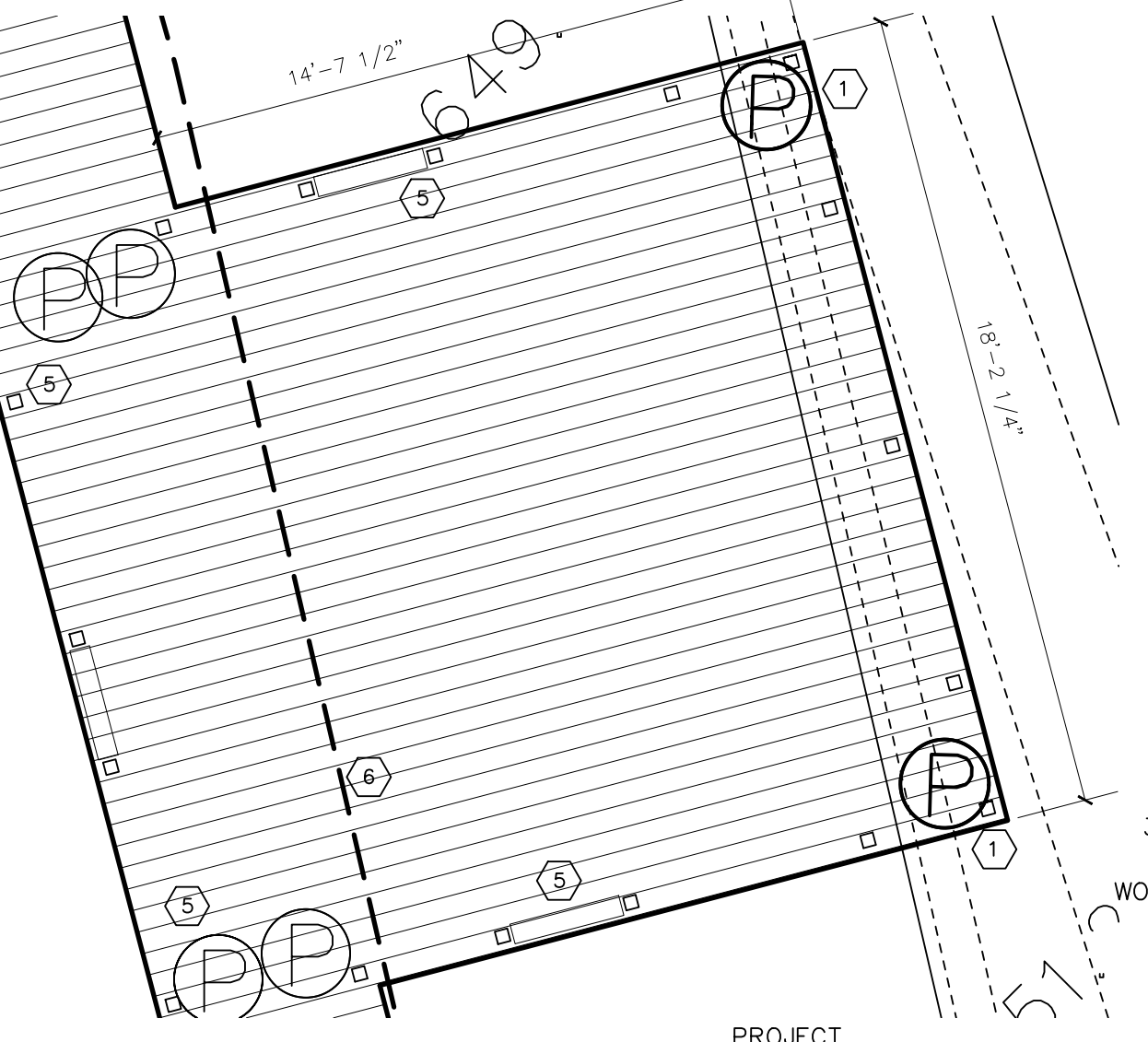
PRELIMINARY NOT TO BE USED FOR CONSTRUCTION
VERIFY ALL DIMENSIONS IN FIELD



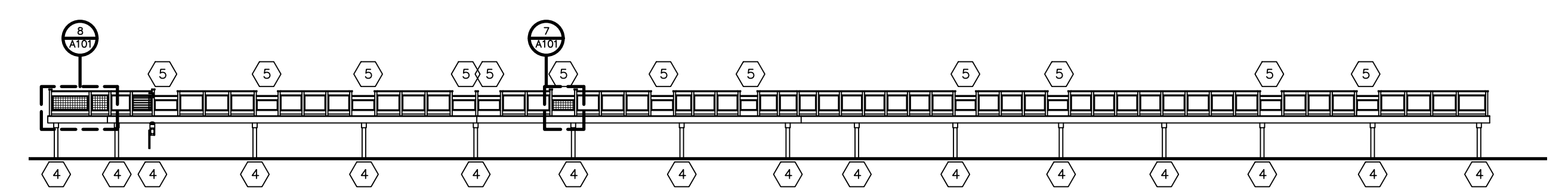
2 PARTIAL SITE PLAN
SCALE: 1/4" = 1'-0"
PROJECT NORTH



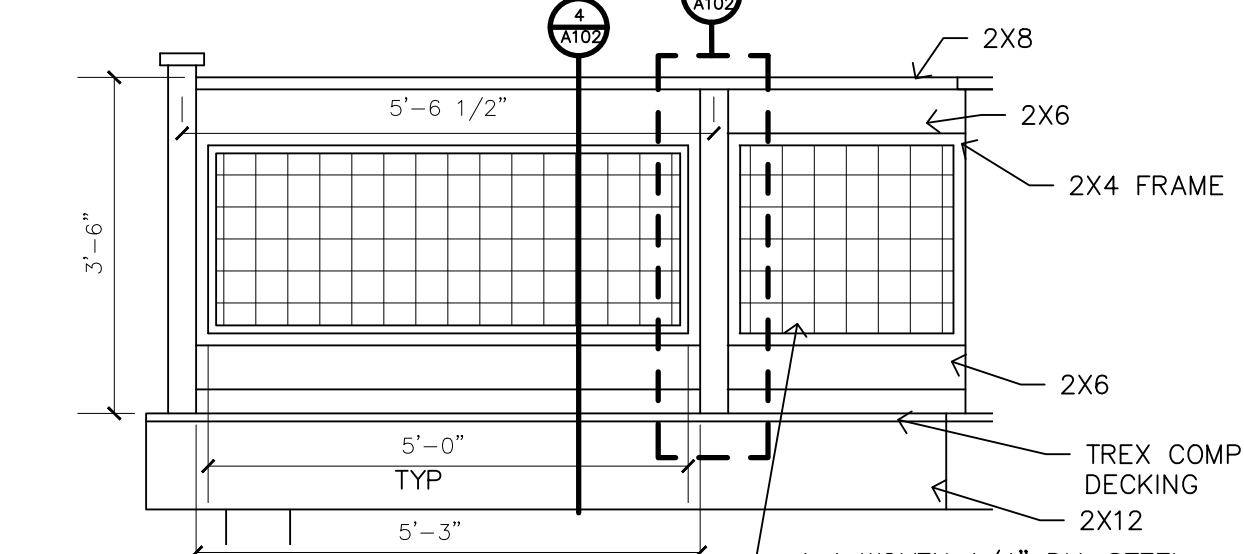
3 PARTIAL SITE PLAN
SCALE: 1/4" = 1'-0"
PROJECT NORTH



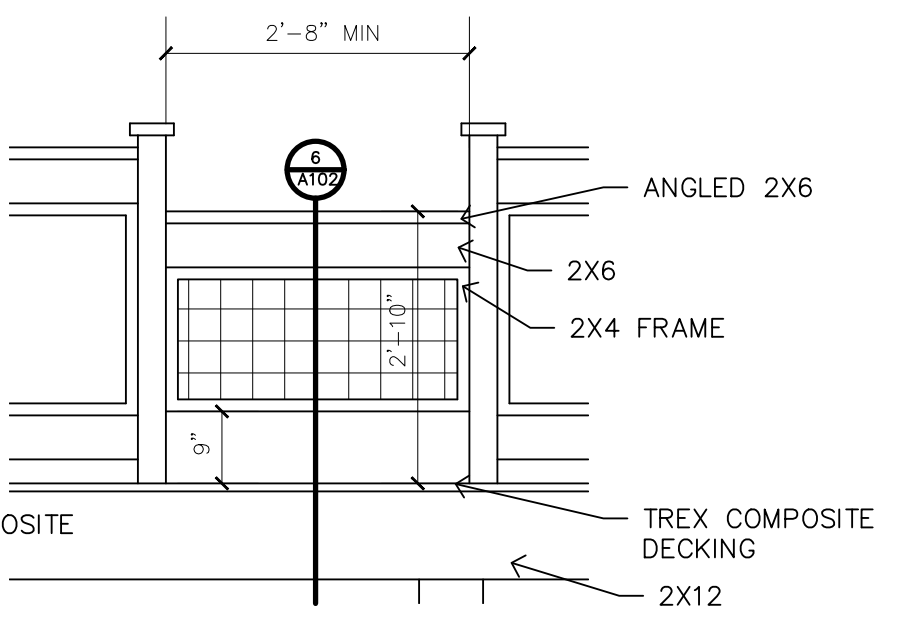
4 PARTIAL SITE PLAN
SCALE: 1/4" = 1'-0"
PROJECT NORTH



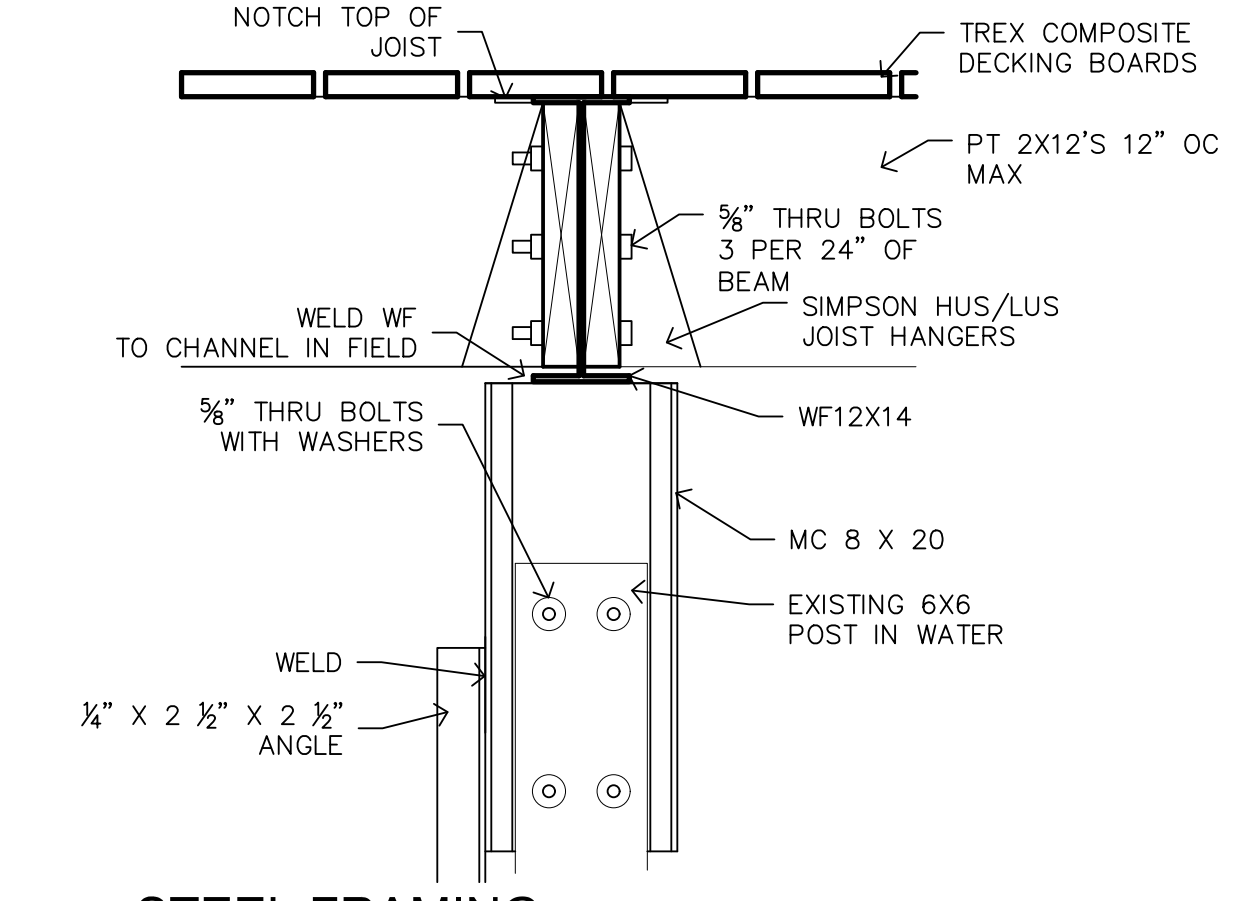
5 DOCK ELEVATION
SCALE: 1/16" = 1'-0"



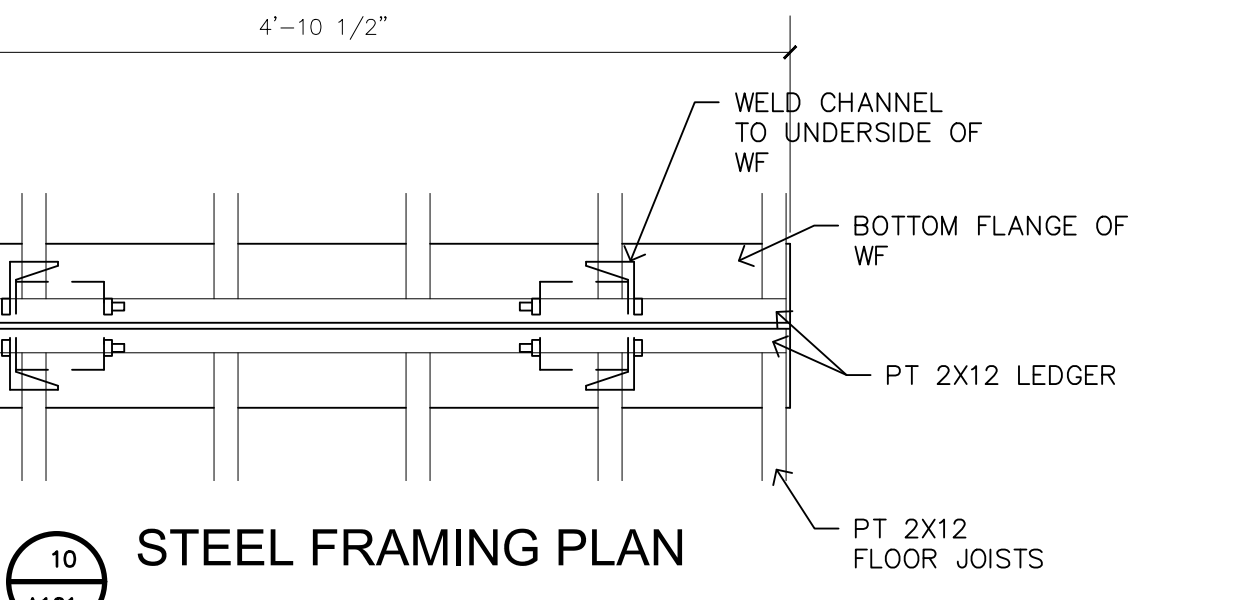
6 PARTIAL DOCK ELEVATION
SCALE: 1/2" = 1'-0"



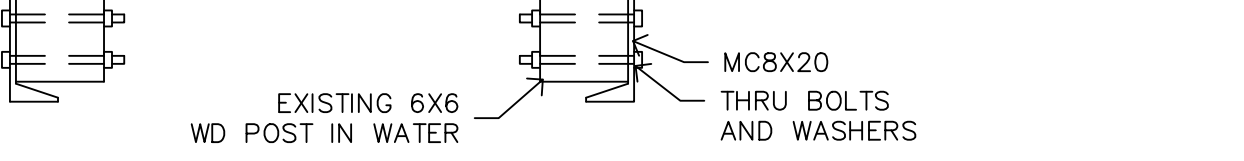
7 BARRIER FREE RAILING ELEVATION
SCALE: 1/2" = 1'-0"



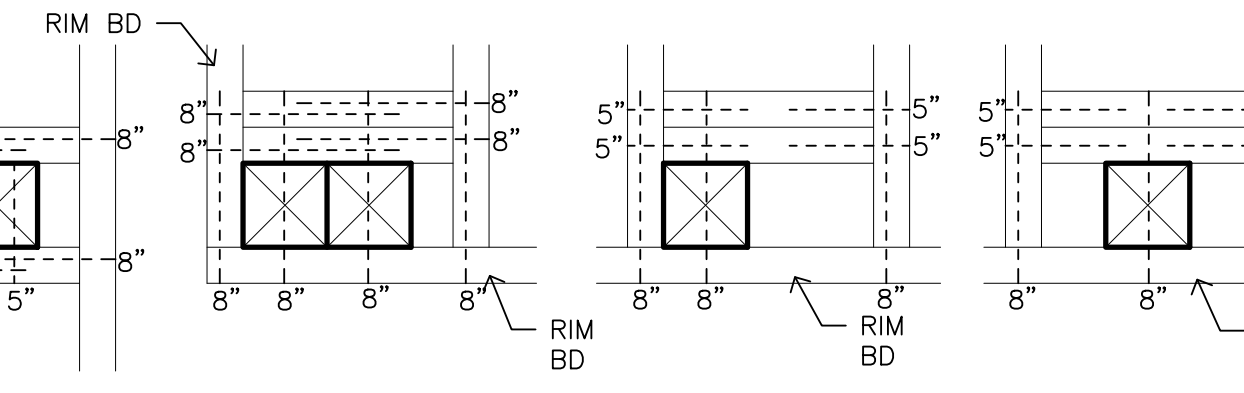
13 STEEL FRAMING SECTION
SCALE: 1 1/2" = 1'-0"



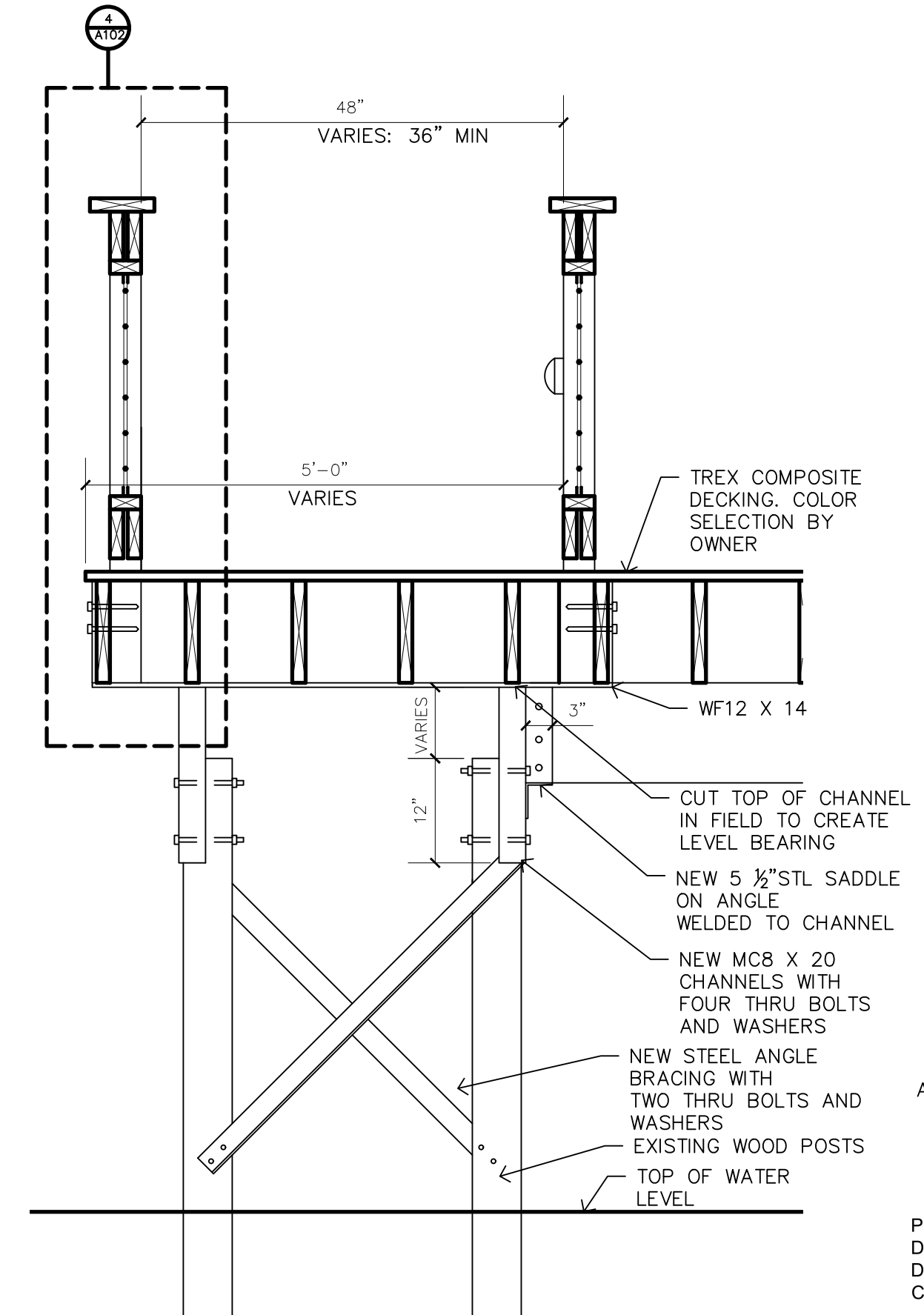
10 STEEL FRAMING PLAN
SCALE: 1" = 1'-0"



11 STEEL FRAMING PLAN
SCALE: 1" = 1'-0"



8 RAILING ANCHOR
SCALE: 1 1/2" = 1'-0"



9 SECTION
SCALE: 3/4" = 1'-0"

SITE PLANS
COPYRIGHT ALL RIGHTS RESERVED BY WAYDE C. HOPPE, ARCHITECT
NOT TO BE COPIED OR REPRODUCED WITHOUT WRITTEN PERMISSION

FRENCH LANDING DOCK RENOVATION
12090 HAGGERTY RD., BELLEVILLE, MI 48111

HOPPE DESIGN, LLC
47032 MERIDIE, BELLEVILLE, MI 48111
734-216-2492

REVISIONS
ADD 1 2.23.23

PROJECT: 2216
DATE: 10.30.22
DRAWN: WCH
CHECKED: WCH

A101