

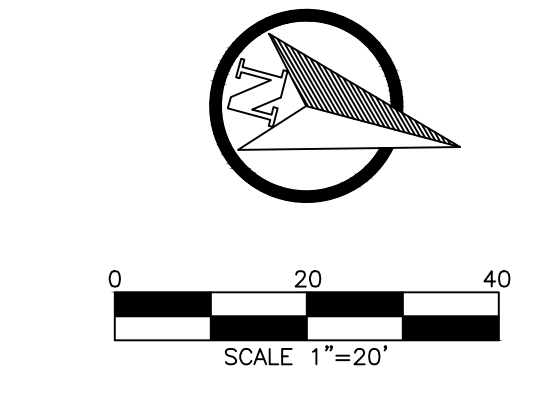
BELLEVILLE
 WAYNE COUNTY, MICHIGAN
 CONSTRUCTION DOCUMENTS
 PREPARED FOR THE CITY OF
 BELLEVILLE

SHEET INDEX	
SHEET NUMBER	TITLE
1	COVER
2	EXISTING PLAN VIEW
3	REDI ROCK WALL PLAN - ALT 1
4	REDI ROCK WALL ELEVATION - ALT 1
5	REDI ROCK WALL PROFILE - ALT 1
6	REDI ROCK WALL DETAILS - ALT 1 (1 OF 2)
7	REDI ROCK WALL DETAILS - ALT 1 (2 OF 2)
8	REDI ROCK WALL PLAN - ALT 2
9	REDI ROCK WALL ELEVATION - ALT 2
10	REDI ROCK WALL PROFILE - ALT 2
11	REDI ROCK WALL DETAILS - ALT 2 (1 OF 2)
12	REDI ROCK WALL DETAILS - ALT 2 (2 OF 2)
13	TEST BORE LOCATION PLAN
14	HAND AUGER BORING LOGS
15	TEST BORING LOG



BELLEVILLE
 HORIZON PARK
 SLOPE STABILIZATION
 DESIGN-BUILD PROJECT
 65% DESIGN
 12/08/25





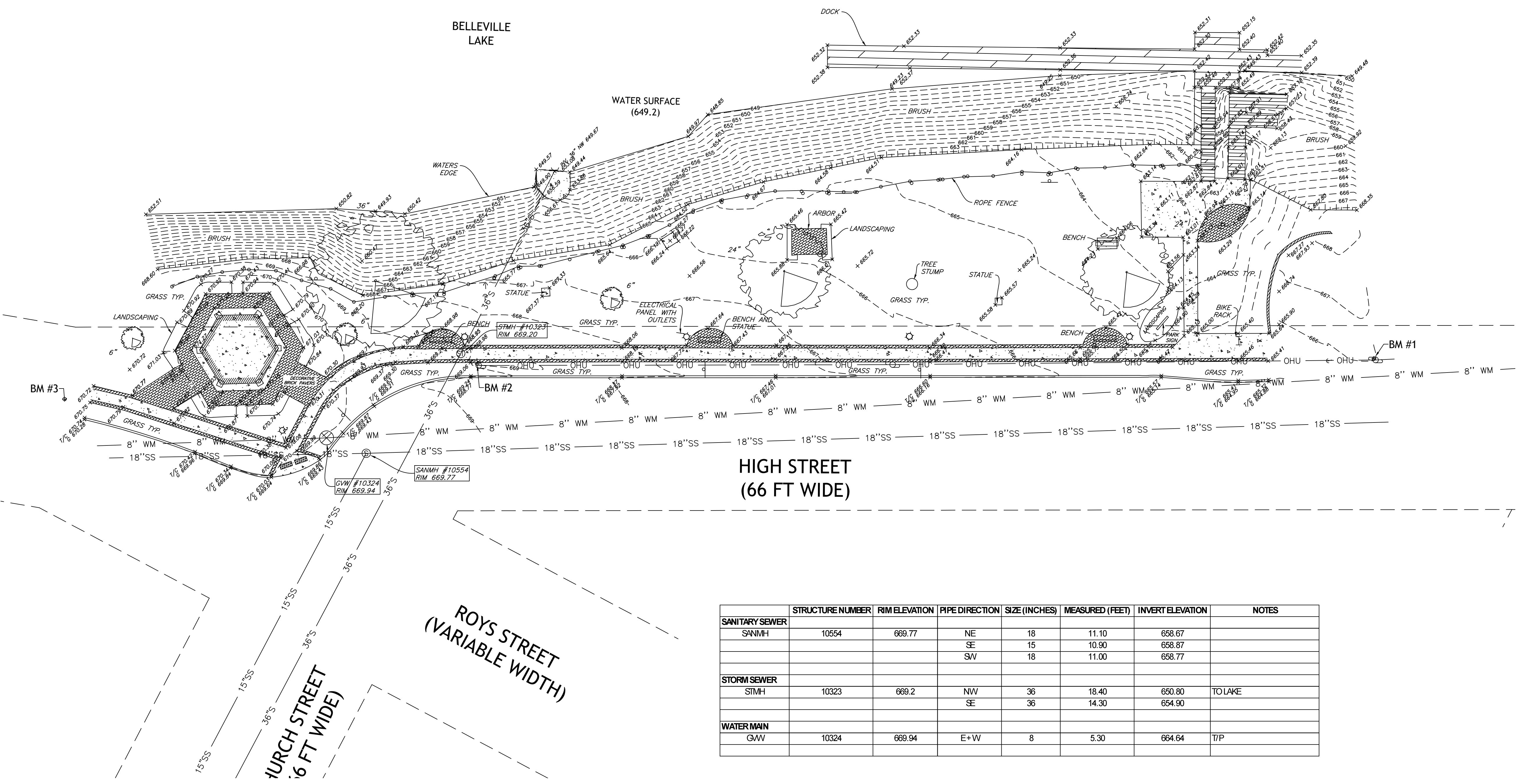
TOPOGRAPHIC LEGEND

- LIGHT POLE
- ⊕ POWER POLE
- GUY WIRE
- SIGN
- TRANSFORMER
- ELECTRIC PEDESTAL
- CABLE PEDESTAL
- PHONE PEDESTAL
- ⊕ ELECTRIC MANHOLE
- ⊕ SOIL BORING
- ⊕ SANITARY MANHOLE
- CATCH BASIN
- ⊕ BEEHIVE CATCH BASIN
- ⊕ STORM MANHOLE
- ⊕ HYDRANT
- ⊕ GATE VALVE & WELL
- ⊕ VALVE
- 000.00 EXISTING ELEVATION
- F.G. FINISHED GRADE
- F.F. FINISHED FLOOR
- T/C TOP CURB
- G GUTTER
- TREE
- PINE, SPRUCE
- BUSH, SHRUB
- FOUND IRON ROD
- FOUND IRON PIPE
- FOUND CONCRETE MONUMENT
- GAS PIPELINE MARKER
- GAS TEST SITE
- GAS VALVE
- 500 --- CONTOUR
- X X FENCE
- CENTERLINE
- RIGHT-OF-WAY
- W W WATER MAIN
- S S STORM SEWER
- SS SS SANITARY SEWER
- G G GAS
- OHU OHU OVERHEAD UTILITY
- UG-E UNDERGRND ELECTRIC
- UG-FO UNDERGRND FIBER OPTIC
- UG-CB UNDERGRND CABLE
- TREE/BRUSH LINE
- TOE OF BANK
- TOP OF BANK
- CONCRETE
- ASPHALT
- BRICK PAVERS
- WOODEN DOCK
- BUILDING

HENNESSEY ENGINEERS
13500 BEECH RD
SOUTHGATE MICHIGAN 48195
SUITE 200 DETROIT MICHIGAN 48207
(313) 638-1306 (734) 759-1000
H.E.N.G.I.N.E.E.R.S..C.O.M

TITLE
TOPOGRAPHIC SURVEY
HORIZON PARK
CITY OF BELLEVILLE
WAYNE COUNTY, MICHIGAN

SHEET
2



	STRUCTURE NUMBER	RIM ELEVATION	PIPE DIRECTION	SIZE (INCHES)	MEASURED (FEET)	INVERT ELEVATION	NOTES
SANITARY SEWER	SANMH	10554	NE	18	11.10	658.67	
			SE	15	10.90	658.87	
			SW	18	11.00	658.77	
STORM SEWER	STMH	10323	NW	36	18.40	650.80	TO LAKE
			SE	36	14.30	654.90	
WATER MAIN	QWW	10324	E+W	8	5.30	664.64	TIP

HENNESSEY ENGINEERS NOTES:

HENNESSEY ENGINEERS, INC., SHALL NOT BE RESPONSIBLE FOR MEANS, METHODS, PROCEDURES, TECHNIQUES, OR SEQUENCES OF CONSTRUCTION, NOR FOR SAFETY ON THE JOB SITE, NOR SHALL HENNESSEY ENGINEERS, INC., BE RESPONSIBLE FOR THE CONTRACTOR'S FAILURE TO CARRY OUT THE WORK IN ACCORDANCE WITH THE CONTRACT DOCUMENTS.

THE CONTRACTOR SHALL IDENTIFY AND SAVE HARMLESS THE OWNER AND ENGINEER FROM ALL LIABILITIES FOR INJURY TO PERSON, OR DAMAGE TO OR LOSS OF PROPERTY, OR ANY OTHER LOSS, COST OF EXPENSE, AGENTS, OR SUBCONTRACTORS.

THE LOCATION AND ELEVATION OF EXISTING UNDERGROUND UTILITIES AS SHOWN ON THESE DRAWINGS ARE ONLY APPROXIMATE. NO GUARANTEE IS EITHER EXPRESSED OR IMPLIED AS TO THE COMPLETENESS OR ACCURACY THEREOF. THE CONTRACTOR SHALL BE EXCLUSIVELY RESPONSIBLE FOR DETERMINING THE EXACT LOCATION AND ELEVATION OF THE EXISTING UTILITIES AND PROPOSED UTILITY CROSSINGS IN THE FIELD PRIOR TO CONSTRUCTION. THE CONTRACTOR SHALL NOTIFY THE ENGINEER IF ANY CONFLICTS ARE APPARENT OR IF THE LOCATION OR DEPTH DIFFERS SIGNIFICANTLY FROM THE PLAN.

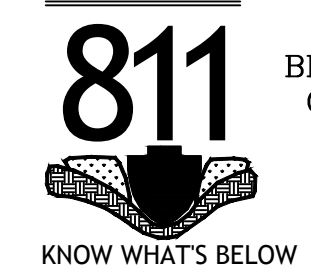
ALL FILL IN EXCESS OF TWO FEET (2') SHALL BE ENGINEERED FILL AND SHALL BE COMPACTED TO 95% MAXIMUM DENSITY UNLESS OTHERWISE DIRECTED. CONTRACTOR SHALL BE RESPONSIBLE FOR ALL DENSITY TESTING.

UTILITY INFORMATION, AS SHOWN, INDICATES APPROXIMATE LOCATIONS AND TYPES OF FACILITIES ONLY, AS DISCLOSED TO THIS FIRM BY THE VARIOUS UTILITY COMPANY'S RECORDS. NO GUARANTEE IS GIVEN OR IMPLIED AS TO THE COMPLETENESS OR ACCURACY THEREOF.

PRIOR TO CONSTRUCTION, ALL LOCATIONS AND DEPTHS OF EXISTING OVERHEAD AND UNDERGROUND UTILITIES (IN CONFLICT WITH THE CONSTRUCTION OF PROPOSED IMPROVEMENTS) SHALL BE VERIFIED IN THE FIELD.

DURING CONSTRUCTION, CONTRACTOR SHALL USE EXTREME CAUTION WHEN OPERATING NEAR OVERHEAD AND/OR BURIED UTILITIES. CALL MISS DIG.

72 HOURS
3 WORKING DAYS
BEFORE YOU DIG
CALL MISS DIG
1-800-482-7171
OR
811
(TOLL FREE) FOR THE LOCATION OF UNDERGROUND FACILITIES.



DATE: 8/18/2025	PROJECT: ALP 1990	REV #	DATE	REVISION TITLE
DRAWN BY: MJM	DESIGNED BY: MJM	---	---	---
CHECKED BY: MPM	SCALE: 1"=20'	---	---	---
DATE: 8/18/2025	SCALE: 1"=20'	---	---	---
DATE: 8/18/2025	SCALE: 1"=20'	---	---	---

FKI
248 E. 17th Street
Midwest Region, MI

HORIZON PARK SLOPE REHAB
EXISTING PLAN VIEW
BELLEVILLE, MI

FIGURE NO:

PROPOSED SLOPE STABILIZATION - ALTERNATE 1 PLAN VIEW



Wall 1					
Point ID (B/Wall)	Northing	Easting	Inside Angle	STA	Approx. T/Slope
A	42.207914	-83.493175	N/A	0+00	659.50
B	42.207786	-83.493214	177°	0+48	663.60
C	42.207622	-83.49325	177°	1+09	664.47
D	42.207439	-83.493278	140°	1+78	664.56
E	42.207417	-83.493258	211°	1+85	664.53
F	42.207294	-83.49325	174°	2+30	665.68
G	42.207258	-83.493242	191°	2+44	665.74
H	42.207128	-83.49325	196°	2+91	667.57
I	42.207064	-83.493281	174°	3+16	668.29
J	42.206881	-83.493336	N/A	3+84	668.60

Wall 2				
Point ID (B/Wall)	Northing	Easting	Inside Angle	STA
K	42.207736	-83.493181	N/A	0+00
L	42.207617	-83.493208	177°	0+44
M	42.207447	-83.493233	140°	1+06
N	42.207428	-83.493214	211°	1+15
O	42.207297	-83.493206	174°	1+62
P	42.207258	-83.493197	191°	1+77
Q	42.207122	-83.493206	196°	2+27
R	42.207056	-83.493236	174°	2+52
S	42.206878	-83.493289	N/A	3+18

Benchmarks			
Point ID	Northing	Easting	Elevation
BM #1	42.2080167	-83.492747	666.373
BM #2	42.2071583	-83.493036	669.523
BM #3	42.2067583	-83.493125	671.017

FKE PROJECT No: 24-210
 DESIGNED BY: NE
 DRAWN BY: NE
 CHECKED BY: JBA
 CAD FILE NAME: ALT 1.dwg
 PLOT DATE: 1-Dec-25
 DRAWING SCALE: 1"=50'
 CREATED ON: 1-Dec-25

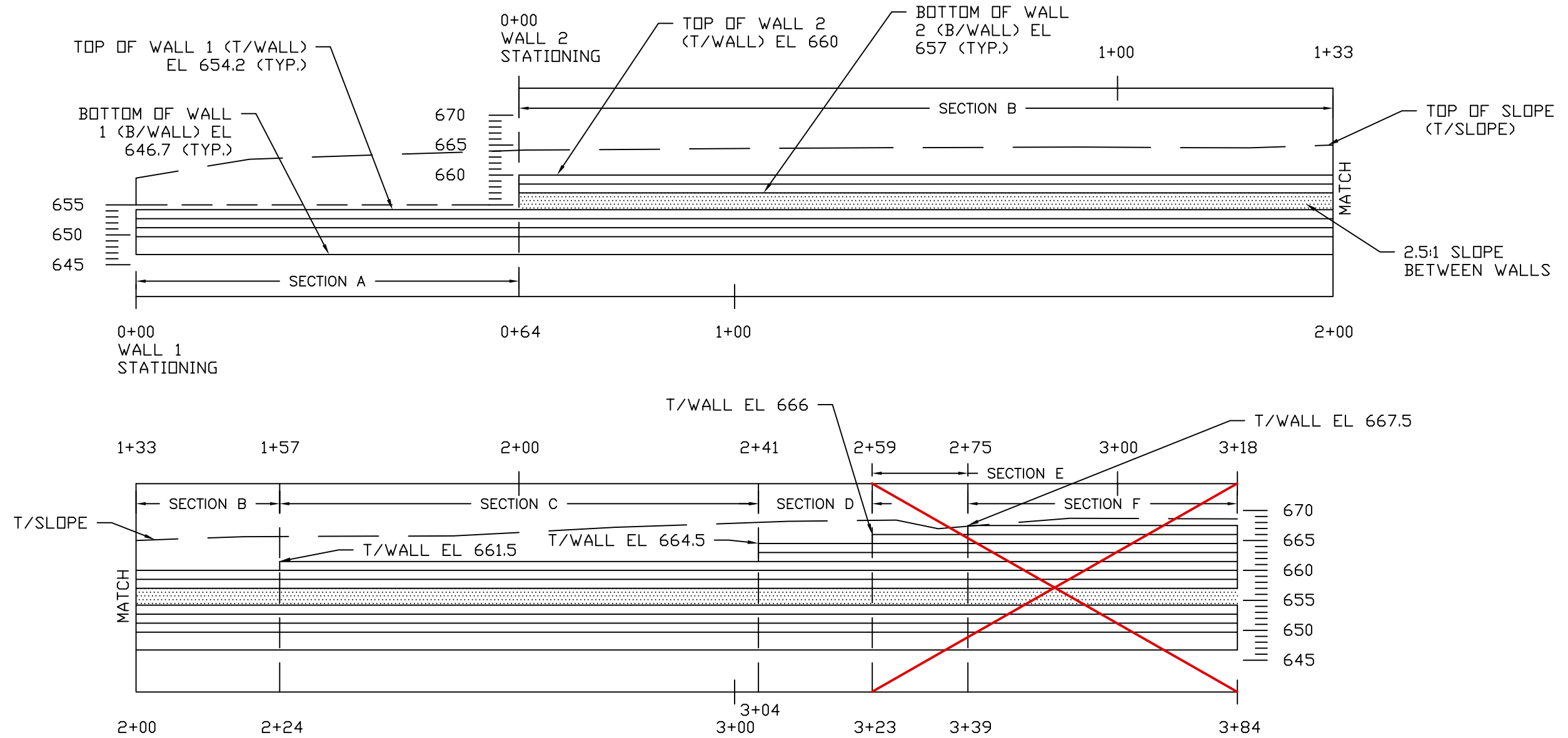


REV #	DATE	REVISION TITLE
---	---	---
---	---	---
---	---	---
---	---	---

HORIZON PARK SLOPE REHAB
 REDI ROCK WALL PLAN - ALT 1
 BELLEVILLE, MI

FIGURE NO.
 3

ALT 1 ELEVATION VIEW - WEST LOOKING EAST



*WALL 1 STATIONING
USED AS MAIN
REFERENCE. WALL 2
STATIONING MAY NOT
BE DRAWN TO SCALE.

FILE PROJECT No: 24-210	CAD FILE NAME: ALT 1.dwg
DESIGNED BY: NE	PLOT DATE: 12-Dec-25
DRAWN BY: NE	DRAWING SCALE: 1"=20'
CHECKED BY: JBA	CREATED ON: 8-Dec-25



REV #	DATE	REVISION TITLE
---	---	---
---	---	---
---	---	---
---	---	---

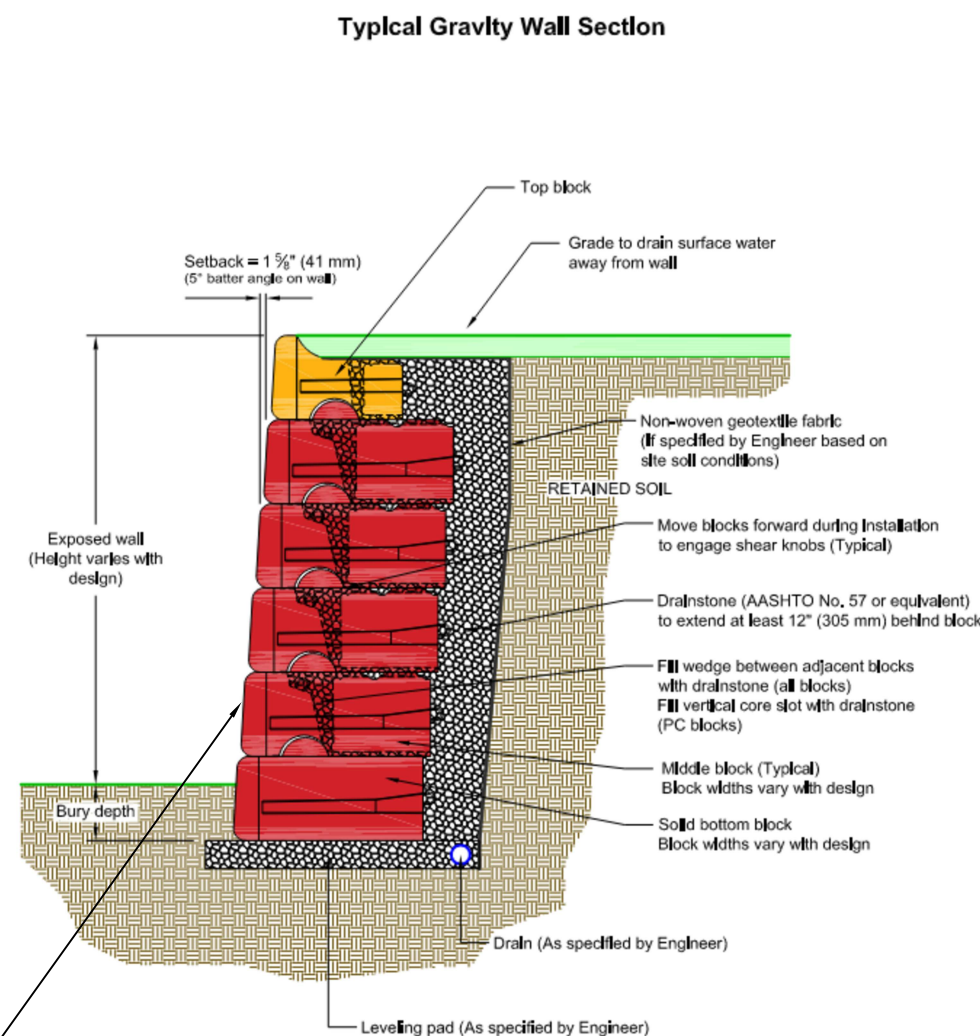
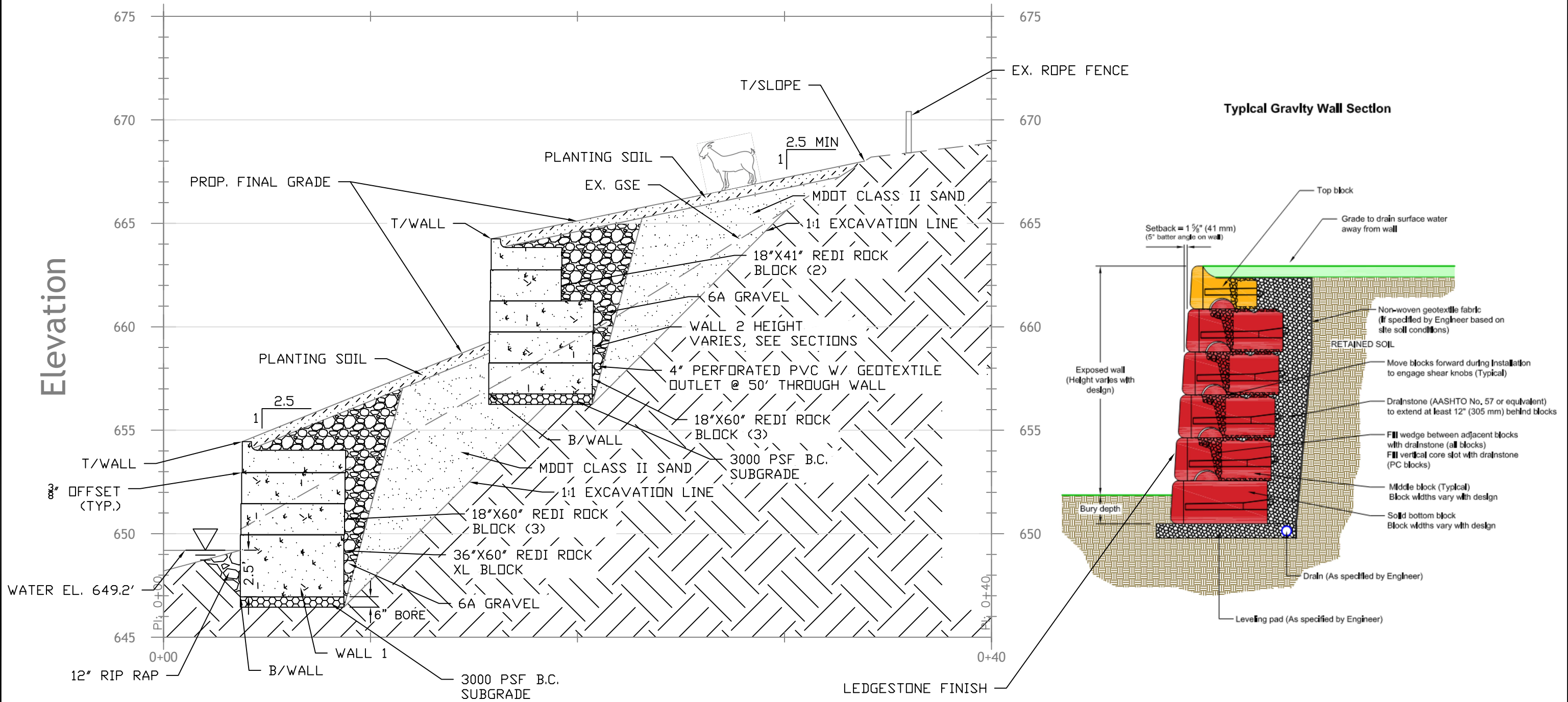
HORIZON PARK SLOPE REHAB
REDI ROCK WALL ELEVATION - ALT 1
BELLEVILLE, MI

FIGURE NO.

4

ALT 1 PROPOSED SLOPE IMPROVEMENTS TYPICAL PROFILE VIEW

SCALE: NTS



PVE PROJECT No: 24-210 DESIGNED BY: NE DRAWN BY: NE CHECKED BY: JBA	CAD FILE NAME: ALT 1.dwg PLOT DATE: 1-Dec-25 DRAWING SCALE: AS SHOWN CREATED ON: 1-Dec-25	 FKE 248.817.2946 Madison Heights, MI	<table border="1"> <thead> <tr> <th>REV #</th> <th>DATE</th> <th>REVISION TITLE</th> </tr> </thead> <tbody> <tr> <td>---</td> <td>---</td> <td>---</td> </tr> <tr> <td>---</td> <td>---</td> <td>---</td> </tr> <tr> <td>---</td> <td>---</td> <td>---</td> </tr> <tr> <td>---</td> <td>---</td> <td>---</td> </tr> </tbody> </table>	REV #	DATE	REVISION TITLE	---	---	---	---	---	---	---	---	---	---	---	---
REV #	DATE	REVISION TITLE																
---	---	---																
---	---	---																
---	---	---																
---	---	---																

HORIZON PARK SLOPE REHAB
REDI ROCK WALL PROFILE - ALT 1
BELLEVILLE, MI

FIGURE NO.
5